

## Worm Gear

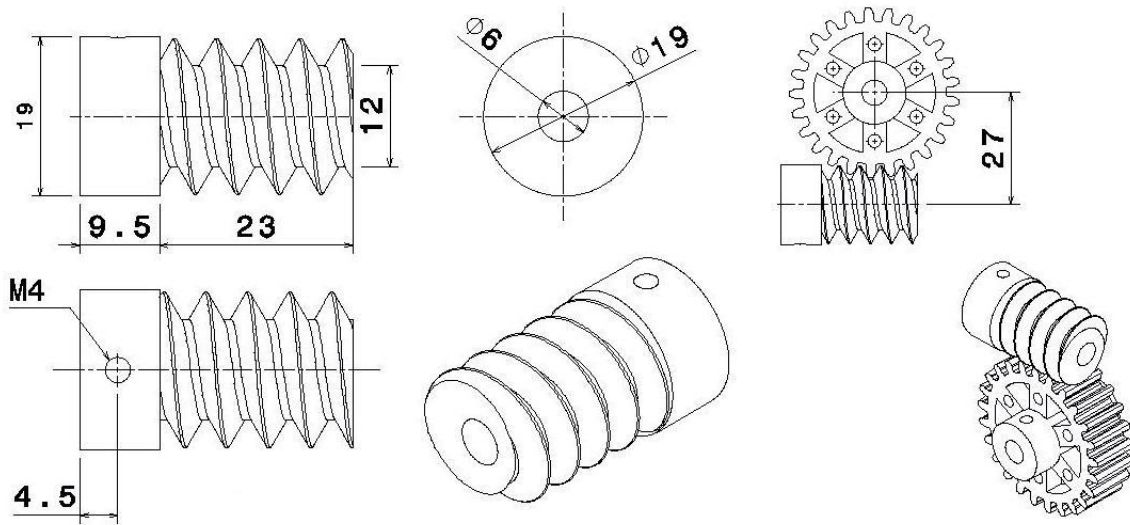
## Worm Gear

These Nylon Made Worm gear can be used in many robotic applications. Basically they are used to increase torque. This Worm gear when used in combination with the spur gear has a center distance of 27mm in between them and the gear ratio is 1:25.



### Specifications:

- 1)Pitch Diameter=40 mm.
- 2)Length=32mm.
- 3)Center Shaft Diameter=6mm.



Pitch = 5mm

All dimensions are in mm

www.brainzstore.com